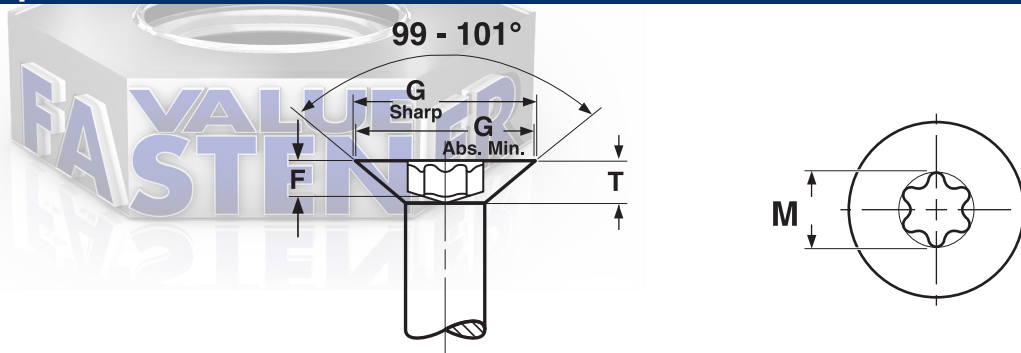
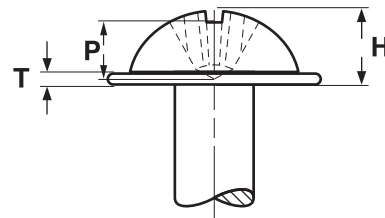


Six-Lobe 100° Flat
Phillips Round Washer

HEAD DIMENSIONS



| SIX-LOBE 100° FLAT HEAD FOR MACHINE SCREWS | | | | | | | Camcar Textron |
|--|-------------|---------------|----------|--------------|----------------------|---|-------------------|
| Nominal Size | T | G | | M | F | Fallaway Maximum Penetration of No-Go Gauge | Driver Size |
| | Head Height | Head Diameter | | Recess Diam. | Gauge Penetration | | |
| | Ref | Max Sharp | Abs. Min | Ref | Ref | Max | |
| 2 | .0216 | .171 | .143 | | .020 | | T6 |
| 4 | .049 | .225 | .191 | .094 | .020 | .019 | T8 |
| 6 | .060 | .279 | .238 | .111 | .035 | .022 | T10 |
| 8 | .072 | .332 | .285 | .132 | .046 | .026 | T15 |
| 10 | .083 | .385 | .333 | .155 | .056 | .031 | T20 |
| 1/4 | .110 | .507 | .442 | .221 | .085 | .044 | T30 |
| 5/16 | .138 | .635 | .556 | .266 | .092 | .047 | T40 |
| 3/8 | .165 | .762 | .670 | .312 | .110 | .055 | T45 |



| PHILLIPS ROUND WASHER HEADS FOR MACHINE SCREWS | | | | | | | | | | ASME B18.6.3 2010 |
|--|-------------------|-------------|------|-----------------|------|---------------------|--------------------|---------------------------------------|------|-------------------|
| Nominal Size | R | H | | W | | T | D | Recess Penetrating Gaging Depth | | Driver Size |
| | Crown Diameter | Head Height | | Washer Diameter | | Washer Thickness | Recess Diameter | Max | Min | |
| | Ref | Max | Min | Max | Min | Ref | Ref | Max | Min | |
| 4 | .177 | .079 | .067 | .261 | .243 | .030 | .116 | .065 | .044 | 1 |
| 6 | .218 | .096 | .084 | .321 | .301 | .040 | .147 | .061 | .033 | 2 |
| 8 | .259 | .113 | .101 | .380 | .358 | .040 | .161 | .076 | .048 | 2 |
| 10 | .300 | .130 | .118 | .439 | .416 | .050 | .177 | .093 | .066 | 2 |
| 12 | .341 | .148 | .134 | .498 | .473 | .050 | .228 | .094 | .066 | 3 |
| 1/4 | .396 | .170 | .157 | .576 | .548 | .050 | .244 | .107 | .080 | 3 |
| 5/16 | .494 | .211 | .197 | .719 | .687 | .060 | .292 | .156 | .129 | 3 |