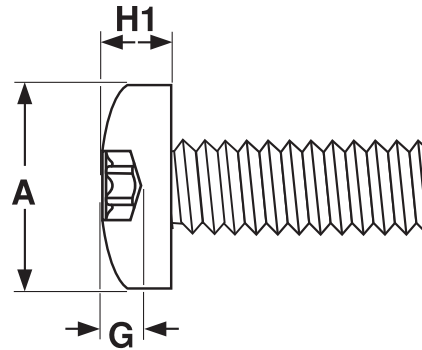


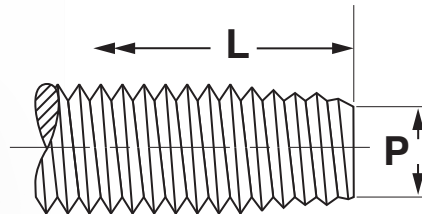
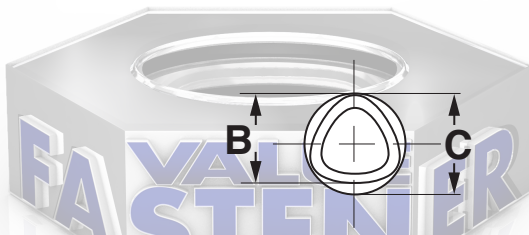
DIN 750TX Head
Dimensions per DIN 750CE

THREAD FORMING SCREWS



METRIC - SIX-LOBE PAN HEAD DIN 750TX HEAD PER DIN 750CE

Nominal Size	Thread Pitch	A		H1		R	G	(Fallaway) Max Penetration	Six-Lobe Driver Size
		Head Diameter		Height of Head		Recess Diameter	Recess Penetration		
		Max	Min	Max	Min	Ref	Min	Max	
M2	0.40	4.00	3.70	1.72	1.46	1.75	0.63	0.35	T6
M2.5	0.45	5.0	4.7	2.10	1.96	2.4	0.83	0.48	T8
M3	0.5	5.6	5.3	2.40	2.26	2.8	0.88	0.56	T10
M3.5	0.6	7	6.64	2.60	2.44	3.35	1.14	0.67	T15
M4	0.7	8.00	7.64	3.10	2.92	3.9	1.40	0.79	T20
M5	0.8	9.50	9.14	3.70	3.52	4.5	1.78	0.90	T25
M6	1.0	12	11.57	4.75	4.3	5.6	1.90	1.12	T30



METRIC - TRILOBULAR THREAD ROLLING SCREWS

DIN 7500-1

Nominal Size & Thread Pitch	C		B		P	Test Plate Thickness	Hole Diameter		Minimum Breaking Torque	Minimum Breaking Force	Maximum Screw-in Torque
	Diameter of Circumscribing Circle		Major Thread Diameter		Point Diameter		Max	Min	Nm	N	Nm
	Max	Min	Max	Min	Max		Max	Min	Nm	N	Nm
M2-0.40	2.06	1.98	1.98	1.90	1.67	2.0	1.825	1.8	0.4	1650	0.3
M2.5-0.45	2.55	2.47	2.48	2.38	2.11	2.5	2.325	2.3	1	2700	0.6
M3-0.5	3.05	2.97	2.95	2.87	2.57	3.0	2.775	2.75	1.8	4000	1
M3.5-0.6	3.58	3.48	3.46	3.36	3.00	3.5	3.230	3.2	2.8	5400	1.6
M4-0.7	4.07	3.99	3.93	3.85	3.39	4.0	3.680	3.65	4.1	7000	2.4
M5-0.8	5.08	5.00	4.92	4.84	4.30	5.0	4.630	4.6	8.7	11,400	4.7
M6-1.0	6.10	5.97	5.90	5.77	5.13	6.0	5.530	5.5	15	16,000	8

Tolerance on Length

3-6mm: ±0.375

over 6-10mm: ±0.45

over 10-18mm: ±0.55

over 18-30mm: ±0.65

over 30 - 50mm: ±0.80

over 50-80: ±0.95