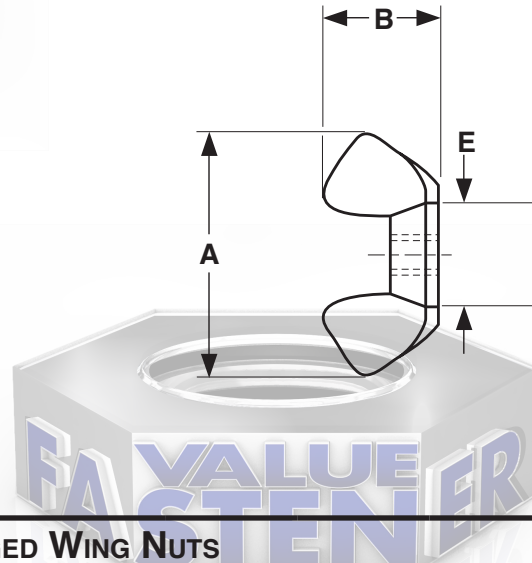
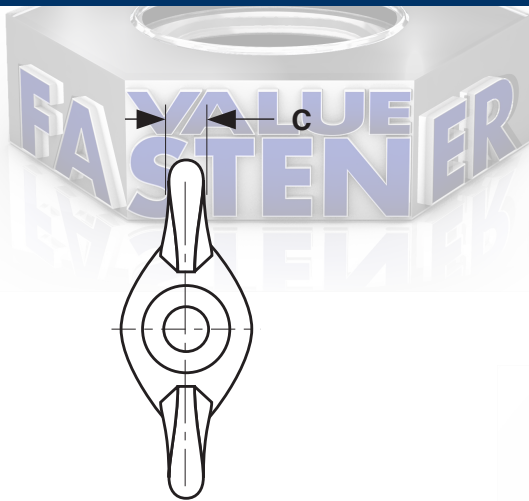


Cold Forged Wing Nuts

NUTS



METRIC - COLD FORGED WING NUTS

Nominal Size	Thread Pitch	A		B		C		E	
		Wing Spread		Wing Height		Wing Thickness		Boss Diameter	
		Max	Min	Max	Min	Max	Min	Max	Min
M3	0.50	23.1	19.8	11.9	8.6	3.5	2.5	10.9	9.9
M4	0.70	23.1	19.8	11.9	8.6	3.5	2.5	10.9	9.9
M5	0.80	23.1	19.8	11.9	8.6	3.5	2.5	10.9	9.9
M6	1	27.9	24.6	14.4	10.9	4.5	3.5	12.7	11.4
M8	1.25	31.7	26.4	16.7	13.4	5.3	4.3	14.7	12.9
M10	1.50	36.5	33.2	20.0	16.5	6.0	5.0	17.7	16.2
M12	1.75	49.2	45.9	25.4	22.1	8.3	6.6	23.6	21.8

Description	A nut with a metric thread pitch and wings set 180° apart from each other which allows the part to be manually turned.
Applications/ Advantages	Class 5 metric cold-forged wing nuts are used when a part is frequently assembled and disassembled at a place where torque greater than that achieved with finger pressure is not needed. The cold-forged style nut has been more popular in the United States, especially in the automotive aftermarket. It can also be safer to use than a malleable wing nut which can have sharp burrs that must be filed down prior to installation.
Material	Nuts shall be made of a steel which conforms to the following chemical composition-- Carbon: 0.50% maximum; Phosphorus: 0.060% maximum; Sulfur: 0.150% maximum.
Hardness	Rockwell B89 - C30 (Vickers HV 130 - 302)
Plating	See Appendix-A for plating information.